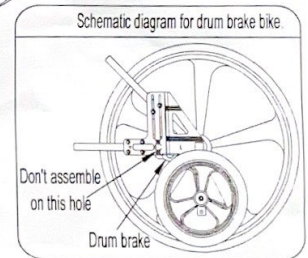
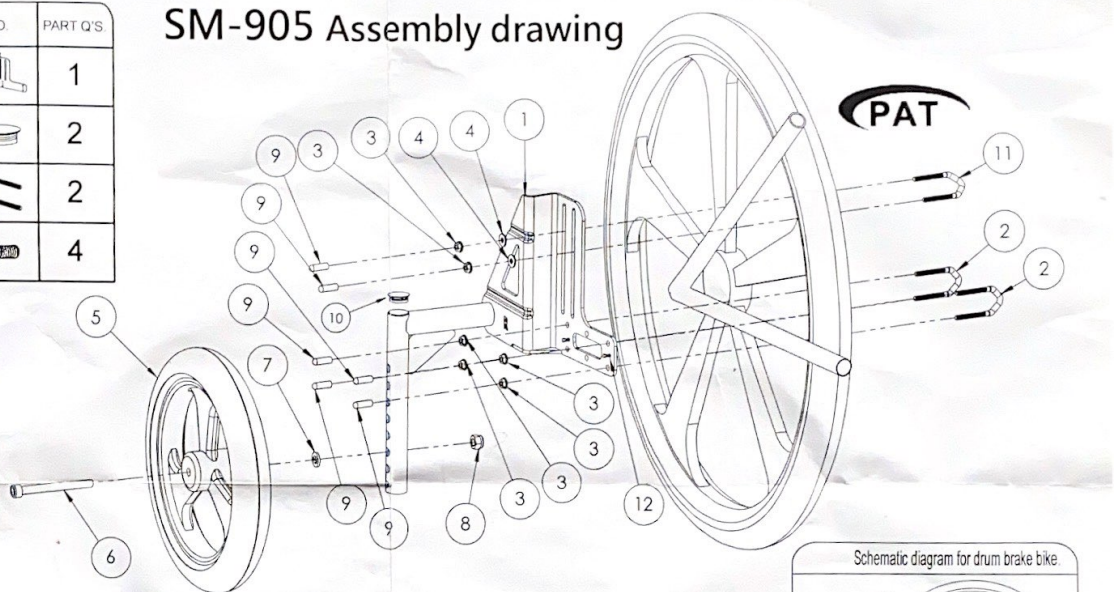



SM-905 Assembly drawing

PART NO.	PART Q'S	PART NO.	PART Q'S
①	1	①	1
②	4	⑩	2
③	12	⑪	2
④	4	⑫	4
⑤	2		
⑥	2		
⑦	2		
⑧	2		
⑨	12		



- Carefully lay out all parts for each side, visually confirm that there are no obstructions in the way of the frames or brackets, and then install them as per the image above.
- These training wheels are best installed by professional bicycle mechanics. If you are installing yourself, be careful to triple check that your installation matches the image above and that all nuts are secured appropriately.
- When assemble on the bike with drum brake, do not assemble on the inner hole (closer to drum brake.) Please assemble on the middle hole, and adjust it depends on different kind of frame. (See the diagram right.)
- Parts 12 is to adjust the training wheel, please make sure the training wheel is in parallel to the bike.
- When attaching the wheel to the frame (part # 5+6+7+8), Insure that the through bolt and nut are snug but that the wheel can turn smoothly. When over-tightened, the wheel will be unable to turn.
- Attach both wheels to each frame at the same height: count the holes and make sure that each are identical in height, otherwise your training wheels will be off balanced. When set correctly on your bicycle, each wheel (both training wheels and the bicycle wheel) should contact the ground with minimal or no wobble.
- Regularly inspect each nut and fitting to ensure that all parts of the assembly are securely and safely attached.
- When inflating the tires, refer to the tire pressure listed on the side of each tire. **DO NOT INFLATE ABOVE THE MAXIMUM LISTED.**
- ※ **NOTICE!!** To avoid any kind of danger, If customers assemble this training wheel on electric bike, due to the difference of coefficient of friction, customer **MUST** change the tire to the special tire for electric bicycle.
- When assembled properly, this training wheel is suitable for riders up to 120 kg or 264 lbs. Do not ride on them if you exceed this weight limit.

MADE IN TAIWAN

 **pr**it
www.shouhmao.com.tw